



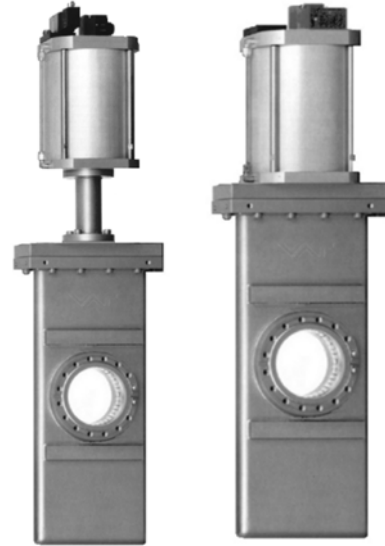
Installation, Operating & Maintenance Instructions
Series 47.2, DN 63 - 160 (2½" - 6")
47.1 DN 200 (8")

RF All-Metal Gate Valve

with extended and compact pneumatic actuator

This manual is valid for the valve ordering number(s):

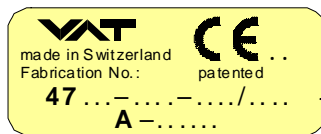
extended:	compact:
47236- . E14/24/34/44	47236- . E71/72/73/74/77
47239- . E14/24/34/44	47239- . E71/72/73/74/77
47240- . E14/24/34/44	47240- . E71/72/73/74/77
47244- . E14/24/34/44	47244- . E71/72/73/74/77
47146- . E14/24/34/44	47146- . E71/72/73/74/77
47148- . E14/24/34/44	



extended

compact

The fabrication number is indicated on each product as per the label below (or similar):



← Fabrication number

Explanation of symbols:



Read declaration carefully before you start any other action!



Keep body parts and objects away from the valve opening!



Attention!



Hot surfaces; do not touch!



Product is in conformity with EC guidelines, if applicable!



Loaded springs and/or air cushions are potential hazards!



Disconnect electrical power and compressed air lines. Do not touch parts under voltage!



Wear gloves!



Read these «**Installation, Operating & Maintenance Instructions**» and the enclosed «**General Safety Instructions**» carefully before you start any other action!



Installation, Operating & Maintenance Instructions
Series 47.2, DN 63 - 160 (2½" - 6")
47.1 DN 200 (8")

Imprint:

Manufacturer VAT Vakuumventile AG, CH-9469 Haag, Switzerland

Website	Phone	Fax	Email
www.vatvalve.com	+41 81 771 61 61	+41 81 771 48 30	CH@vatvalve.com

Publisher VAT Vakuumventile AG, CH-9469 Haag, Switzerland

Editor VAT Vakuumventile AG, CH-9469 Haag, Switzerland

Print VAT Vakuumventile AG, CH-9469 Haag, Switzerland

Copyright © VAT Vakuumventile AG 2008

No part of these Instructions may be reproduced in any way (photocopies, microfilms or any other reproduction processes) nor may it be manipulated with electronic systems, duplicated or distributed without written permission from VAT. Offenders are liable to pay damages.

The original VAT firmware and updated state of the art versions of the VAT firmware are intended for use with VAT products. The VAT firmware contains a limited, time unlimited user license. The VAT firmware may not be used for purposes other than those intended nor is it permitted to make copies of the VAT firmware. In particular, it is strictly forbidden to give copies of the VAT firmware to other people.

The use of trade names, brand names, trademarks, etc. in these Instructions does not entitle third parties to consider these names to be unprotected and to use them freely. This is in accordance with the meaning of the laws and acts covering brand names and trademarks.



Installation, Operating & Maintenance Instructions
Series 47.2, DN 63 - 160 (2½" - 6")
47.1 DN 200 (8")

Contents:

1	Use of product	4
1.1	Technical data	4
2	Installation	4
2.1	Unpacking	4
2.2	Installation into the system	4
2.3	Connections	5
2.3.1	Compressed air connection	5
2.3.2	Electrical connection	6
3	Operation	9
3.1	Normal operation	9
3.2	Operation under increased temperature	10
3.3	Bake out	10
3.4	Behavior in case of compressed air pressure drop	10
3.5	Behavior in case of power failure	10
3.6	Emergency operation at power failure	11
4	Trouble shooting	11
5	Maintenance & repairs	12
6	Drawing	13
7	Spare parts	14
8	Warranty	19



Installation, Operating & Maintenance Instructions
Series 47.2, DN 63 - 160 (2½" - 6")
47.1 DN 200 (8")

1 Use of product

Use product for clean and dry indoor vacuum applications under the conditions indicated in chapter «Technical data» only!
Other applications are only allowed with the written permission of VAT.

1.1 Technical data

Pressure range	extreme UHV to 2 bar (abs)
Differential pressure on the gate	1 bar in either direction
Max. differential pressure at opening	500 mbar, 1 bar with reduced cycle life
Admissible temperature: Valve extended	≤ 300°C open and closed
Valve compact	≤ 200°C open and closed
Actuator	≤ 200°C (option: 10 ⁶ Gy temperature resistant ≤ 140°C)
Position indicator	≤ 80°C (option: 200°C)
Solenoid	≤ 80°C
Position indicator: Contact rating	≤ 50 V AC / DC; ≤ 1.2 A (80°C version) ≤ 50 V AC / DC; ≤ 1 A (200°C version)
Solenoid	see tag on solenoid

Further data according to VAT catalogue «Vacuum Valves 2008».

2 Installation

2.1 Unpacking



The valve is heavy and needs to be handled by suitable lifting equipment.

Use lifting eyes on the valve bonnet.

Be careful during opening the boxes and nylon bag, do not contaminate the valve.

Pay attention that valve and flanges are not damaged when the valve is lifted out of the box and handled afterwards.

2.2 Installation into the system

DN 63, 88, 100	any
DN 160, 200	center of valve opening horizontal
DN 250	beam tube horizontal, actuator up or down



Installation, Operating & Maintenance Instructions
Series 47.2, DN 63 - 160 (2½" - 6")
47.1 DN 200 (8")

2.3 Connections

2.3.1 Compressed air connection



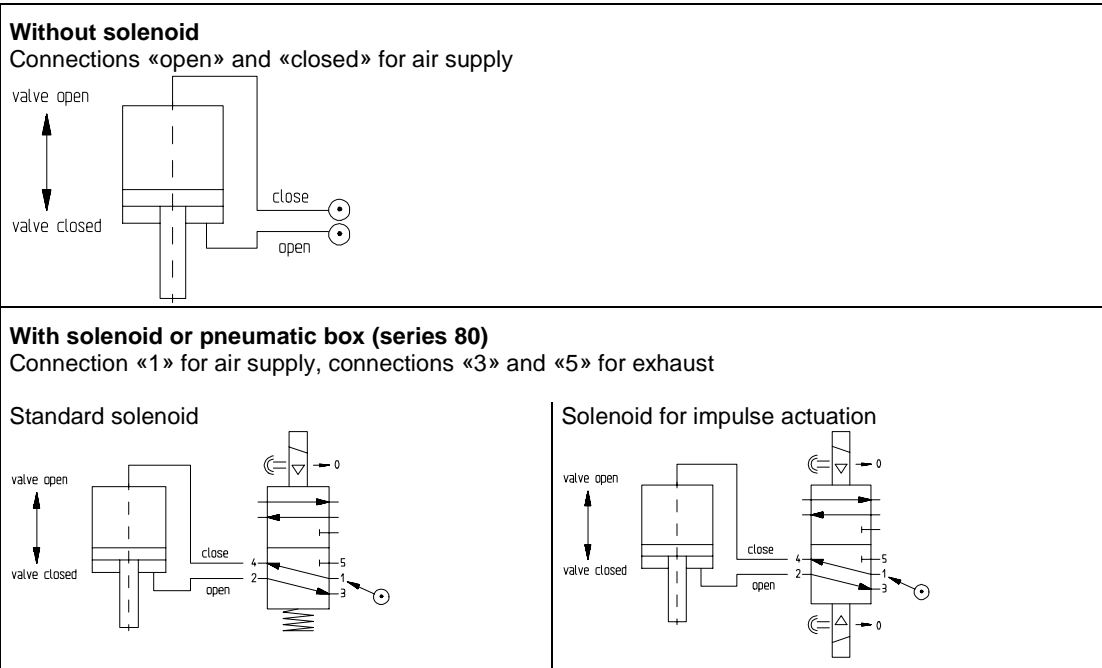
Connect compressed air only if
- valve is installed into the vacuum system
- moving parts cannot be touched

Connection: internal thread R 1/8" (1/8" NPT for USA)

Connection for compressed air supply: ⊙

Compressed air pressure (min. - max. overpressure): 4 - 8 bar / 55 - 110 psig

Use only clean, dry or slightly oiled air!





Installation, Operating & Maintenance Instructions
Series 47.2, DN 63 - 160 (2½" - 6")
47.1 DN 200 (8")

2.3.2 Electrical connection



Do not touch electrical parts under voltage!



Connect electrical power only if
- valve is installed into the vacuum system
- moving parts cannot be touched

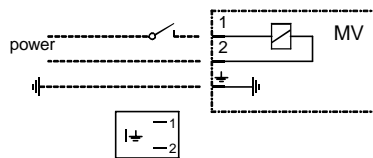
Verify that mains voltage matches voltage stated on the solenoid!

Sockets for position indicator and solenoid are supplied with the valve.

Wiring diagrams:

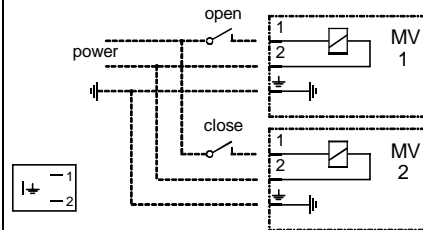
Solenoids

Standard solenoid



MV = coil of solenoid

Solenoid for impulse actuation (option)



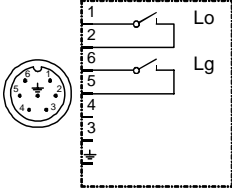
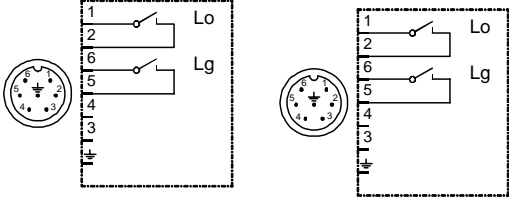
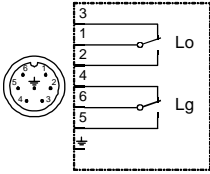
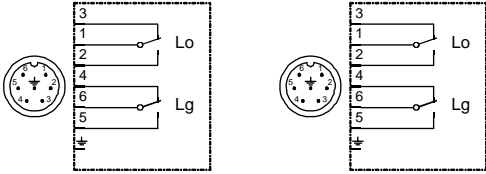
MV = coil of solenoid

Minimum pulse duration 50 ms

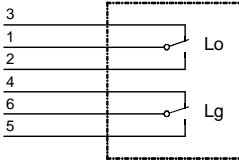
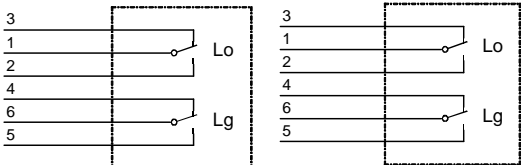


Installation, Operating & Maintenance Instructions
Series 47.2, DN 63 - 160 (2½" - 6")
47.1 DN 200 (8")

Position indicators for max. 80°C — contact rating ≤ 50 V AC / DC; ≤ 1.2 A

<p>Standard position indicator with make contact switches</p>  <p>Lo = position indicator «open» Lg = position indicator «closed»</p>	<p>Double position indicator with make contact switches - two each (option)</p>  <p>Lo = position indicator «open» Lg = position indicator «closed»</p>
<p>Position indicator with double throw switches (option)</p>  <p>Lo = position indicator «open» Lg = position indicator «closed»</p>	<p>Double position indicator with double throw switches - two each (option)</p>  <p>Lo = position indicator «open» Lg = position indicator «closed»</p>

Position indicators for max. 200°C — contact rating ≤ 50 V AC / DC; ≤ 1 A

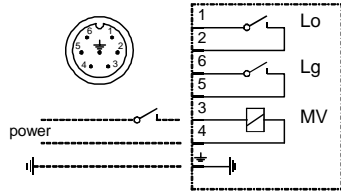
<p>Single position indicator (option)</p>  <p>Lo = position indicator «open» Lg = position indicator «closed»</p>	<p>Double position indicator (option)</p>  <p>Lo = position indicator «open» Lg = position indicator «closed»</p>
--	---



Installation, Operating & Maintenance Instructions
Series 47.2, DN 63 - 160 (2½" - 6")
47.1 DN 200 (8")

Position indicator for max. 80°C — contact rating ≤ 50 V AC / DC; ≤ 1.2 A

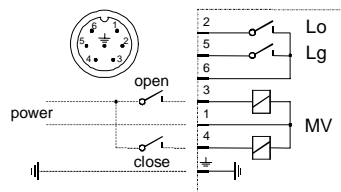
Common plug for pos. indicator and solenoid, pos. indicator with make contact switches (option)



Lo = position indicator «open»
 Lg = position indicator «closed»

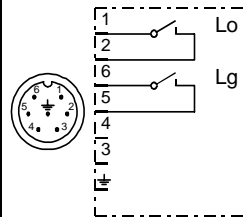
Position indicator for max. 80°C — contact rating ≤ 50 V AC / DC; ≤ 1.2 A

Common plug for pos. indicator and solenoid impulse, pos. indicator with make contact switches (option)



Lo = position indicator «open»
 Lg = position indicator «closed»

Position indicator radiation resistant 10E6 Gy.



Lo = position indicator «open»
 Lg = position indicator «closed»



Installation, Operating & Maintenance Instructions
Series 47.2, DN 63 - 160 (2½" - 6")
47.1 DN 200 (8")

3 Operation

3.1 Normal operation

Don't actuate the DN 160, DN 200 and DN 250 valve unless valve position is with centerline of valve horizontal!

Opening of closed valve

- without solenoid:
 - before valve is opened — supply air pressure in closing direction
 - air supply to connection «open»
 - air release through connection «closed»
- with standard solenoid:
 - supply specified control voltage to the coil
- with impulse solenoid:
 - supply an impulse of specified control voltage to the coil for opening (pulse duration min. 50 ms)

Closing of open valve

- without solenoid:
 - before valve is closed — supply air pressure in opening direction
 - air supply to connection «close»
 - air release through connection «open»
- with standard solenoid:
 - release control voltage
- with impulse solenoid:
 - supply an impulse of specified control voltage to the coil for closing (pulse duration min. 50 ms)



3.2 Operation under increased temperature

See «1.1 Technical data»

3.3 Bake out

	extended	compact
Valve:	≤ 300°C in open and closed position	≤ 200°C in open and closed position
Actuator:	≤ 200°C for max. 200h	≤ 200°C for max. 200h
Position indicator:	≤ 80°C (option: ≤ 200°C)	≤ 80°C (option: ≤ 200°C)
Solenoid	≤ 80°C	≤ 80°C
Heating and cooling rate:	DN 63 - 160 50°C/h DN 200 30°C/h DN 250 25°C/h	DN 63 - 160 50°C/h DN 200 30°C/h

Operate the valve only after the bake-out temperature has been stable for two hours. If actuation during bake-out is required, the heating and cooling rate from 100°C to 200°C (300°C) must not exceed 10°C/h.

Temperature differences exceeding 30°C throughout the valve are not allowed. They may affect the performance of the valve.

3.4 Behavior in case of compressed air pressure drop

Valve closed: valve remains closed and leaktight

Valve open: valve remains open

3.5 Behavior in case of power failure

Standard solenoid: Valve closes

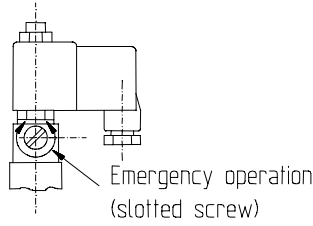
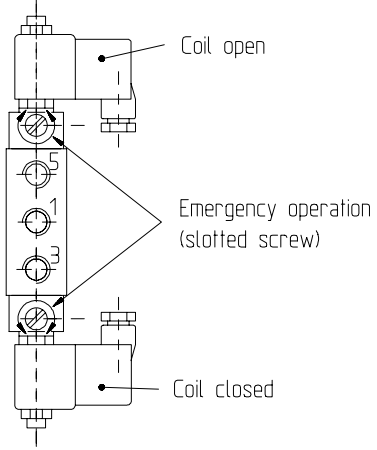
Solenoid for impulse actuation (option): Valve position does not change, a started movement will be completed.



Installation, Operating & Maintenance Instructions
Series 47.2, DN 63 - 160 (2½" - 6")
47.1 DN 200 (8")

3.6 Emergency operation at power failure

Option: Solenoids with an emergency operation (slotted screw) to operate the valve in case of a power failure (with compressed air available)

<p>Standard solenoid</p> <p>To <u>close</u> the valve: Turn the slotted screw counter-clockwise to its stop</p> <p>To <u>open</u> the valve: Turn the slotted screw clockwise to its stop</p> <p>For remote operation make sure that the slotted screw is turned counter-clockwise to its stop.</p>	
<p>Solenoid for impulse actuation</p> <p>To <u>close</u> the valve: Turn the slotted screw (coil «closed») counter-clockwise to its stop. If the valve is closed, turn the screw back to its original position.</p> <p>To <u>open</u> the valve: Turn the slotted screw (coil «open») counter-clockwise to its stop. If the valve is open, turn the screw back to its original position.</p> <p>For remote operation make sure that both slotted screws are turned clockwise to their stop (original position).</p>	

4 Trouble shooting

Failure	Check	Action
Valve mechanism does not move:	Power available? Compressed air available? Slotted screw of solenoid in proper position?	Check voltage! Check air pressure! Check position of slotted screw.
Whistling sound during opening/closing:	When operating at atmosphere (not recommended): When operating at vacuum:	No reason for concern No reason for concern unless the sound gets extensive

If you need any further information, please contact one of our service centers. You can find the addresses on our website: <http://www.vat.ch>

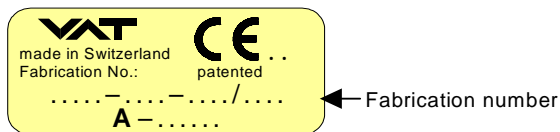


Installation, Operating & Maintenance Instructions
Series 47.2, DN 63 - 160 (2½" - 6")
47.1 DN 200 (8")

5 Maintenance & repairs

Under clean operating conditions, the valve does not require any maintenance during the specified cycle life. Contamination from the process may influence the function and requires more frequent maintenance.

Before carrying out any maintenance or repairs, please contact VAT. It has to be individually decided whether the maintenance/repair can be performed by the customer or has to be carried out by VAT. The fabrication number on the valve



has always to be specified.

All supplies (e. g. compressed air, electrical power) must be disconnected for removal/installation of the valve from/into the system and for maintenance work.



Even with disconnected supply, loaded springs and/or air cushions in cylinders can be potential hazards.



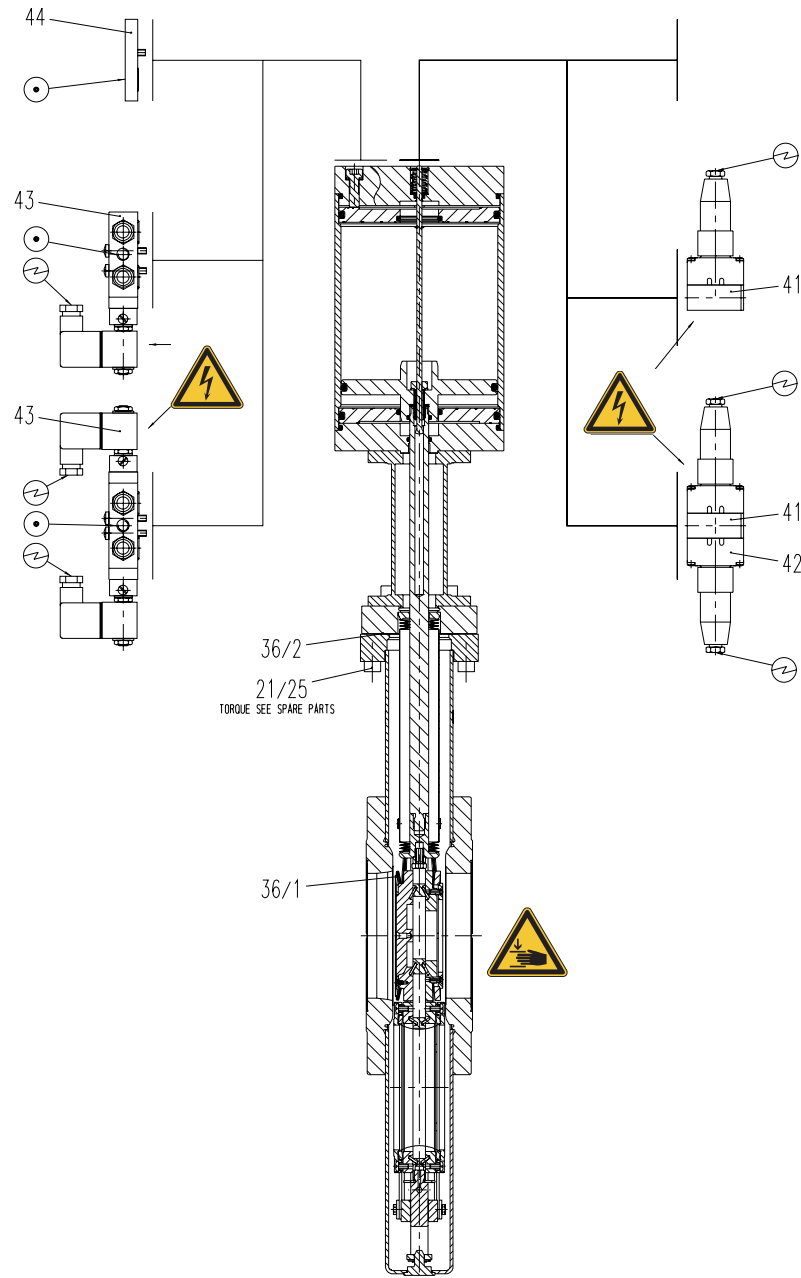
Keep fingers and objects away from the valve opening!

Products returned to VAT must be free of harmful substances such as e.g. toxic, caustic or microbiological ones. If products are radioactively contaminated, fill in the VAT form «Contamination and Radiation Report» and send it with the product. The form is available at VAT. The maximum values indicated in the form must not be exceeded.



Installation, Operating & Maintenance Instructions
Series 47.2, DN 63 - 160 (2½" - 6")
47.1 DN 200 (8")

6 Drawing





Installation, Operating & Maintenance Instructions
Series 47.2, DN 63 - 160 (2½" - 6")
47.1 DN 200 (8")

7 Spare parts



Please specify the **fabrication number of the valve** (see yellow label on valve) when ordering spare parts. This is to ensure that the appropriate spare parts are supplied.

The item numbers refer to the drawing on page 13.

Item	Description	Qty	Part / Ordering number					
			DN 63	DN 88	DN 100	DN 160	DN 200	DN 250
21/25	Treated hexagon socket head cap screw	10	224837	224837	224837			
		14			224837			
		18					224842	
		20						224842
	required torque of bonnet screw		24 Nm	24 Nm	28 Nm	24 Nm	24 Nm	24 Nm
36/1	VATRING	1	39615-01	47465-01	39986-01	35774-01	48637-01	35902-01
36/2	VATSEAL	1	247767	247768	247768	247769	220679* 225324*	248078
	Vacuum seal kit, consisting of VATRING (36/1) and VATSEAL (36/2)		D-47236-.... (80989-R1)	D-47239-.... (82314-R1)	D-47240-.... (81458-R1)	D-47244-.... (83884-R1)	D-47146-.... (99055-R1)* (250658)*	D-47148-.... (204977)
	Pneumatic seal kit, consisting of all elastomer seals inside the pneumatic actuator:							
	200°C		87807-R1	82230-R1	82230-R1	86022-R1	238996	238996
	actuator for 10 ⁶ Gy (option)		87808-R1	84585-R1	84585-R1	87810-R1	248554	248554

- Dependent on the ordering No.D-47146-....



Installation, Operating & Maintenance Instructions
Series 47.2, DN 63 - 160 (2½" - 6")
47.1 DN 200 (8")

Air connection kit (solenoid on customer's site)

Item	Description	Version	Qty.	Part No.
44	Connection kit	standard	1	81427-R1
		actuator for 10 ⁶ Gy	1	86069-R1
44/1	Plate		1	81428-01
44/2	Screw		2	N-6013-463
44/3	O-ring	standard	2	N-7100-016
		actuator for 10 ⁶ Gy	2	N-7115-016

Solenoid kit (5/2-way standard)

Item	Description	Qty.	Part No.
43	Solenoid kit	1	80993-R1
43/1	Solenoid	1	N-7501-502
43/2	Socket	1	N-8501-300
43/3	Sound absorber	2	N-7705-001
43/4	Coil**	1	N-7510-2**
43/5	O-ring	2	N-7100-016
43/6	Screw	2	N-6024-562

Solenoid kit (5/2-way impulse actuation)

Item	Description	Qty.	Part No.
43	Solenoid kit	1	84569-R1
43/1	Connection plate	1	93708-01
43/2	Hollow screw	2	N-5060-010
43/3	Screw	2	N-6013-462
43/4	Gasket	4	N-7016-010
43/5	O-ring	2	N-7100-016
43/6	Solenoid	1	N-7502-504
43/7	Sound absorber	2	N-7705-001
43/8	Socket	2	N-8501-300
43/9	Coil**	2	N-7510-2**

** Specify voltage! (e.g. N-7510-2-220V 50Hz)



Installation, Operating & Maintenance Instructions
Series 47.2, DN 63 - 160 (2½" - 6")
47.1 DN 200 (8")

Solenoid kit (5/2-way standard)

	Item	Description	Qty.	Part No.
	43	Solenoid kit	1	207093 87998-R1
	43/1	Solenoid	1	N-7501-502
	43/3	Sound absorber	2	N-7705-001
	43/4	Coil**	1	N-7510-2**
	43/5	O-ring	2	N-7100-016
	43/6	Screw	2	N-6024-562
	43/7	Cover	1	202743

** Specify voltage! (e.g. N-7510-2-220V 50Hz)

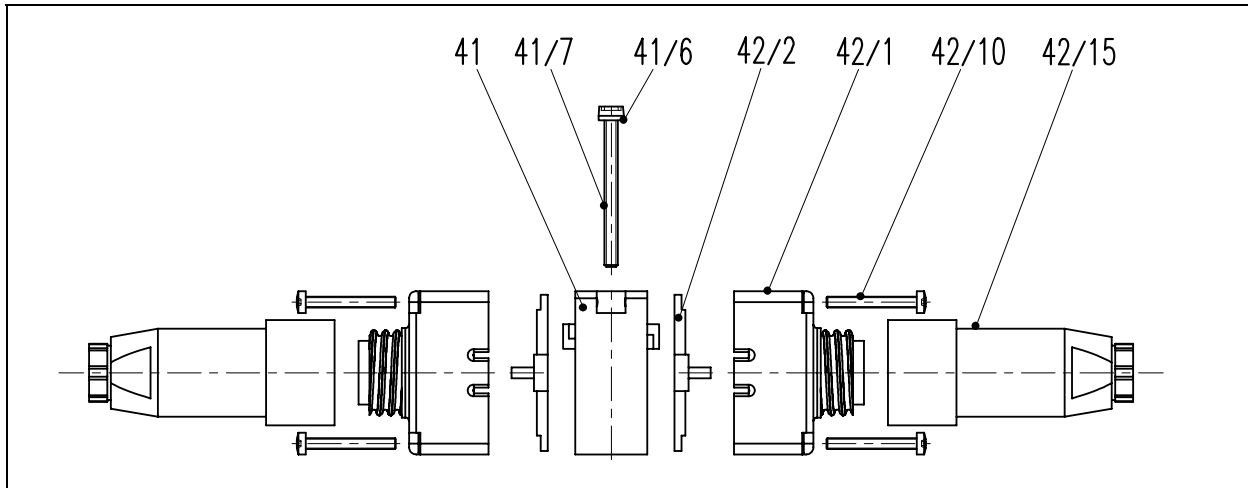
Position indicators 80°C (single + double) in various versions with adapter

Item	Description	Version	Qty.	Part No.	
				E4Gy	E6Gy
41	Adapter complete		1	72228-R1	72228-R1
41/7	Screw		2	N-6016-503	N-6016-503
42	BS Mini position indicator	make contact switch with common plug for pos. indicator and solenoid	1	87997-R1	256480
42/1	Position indicator	make contact switch with common plug for pos. indicator and solenoid	1	82560-R1	256481
42/2	Slider		1	69846-01	69846-01
42/10	Screw		4	N-6024-531	N-6024-531
42/15	Socket		1	N-8504-002	N-8504-002



Installation, Operating & Maintenance Instructions
Series 47.2, DN 63 - 160 (2½" - 6")
47.1 DN 200 (8")

Position indicators 80°C (single + double) in various versions with adapter

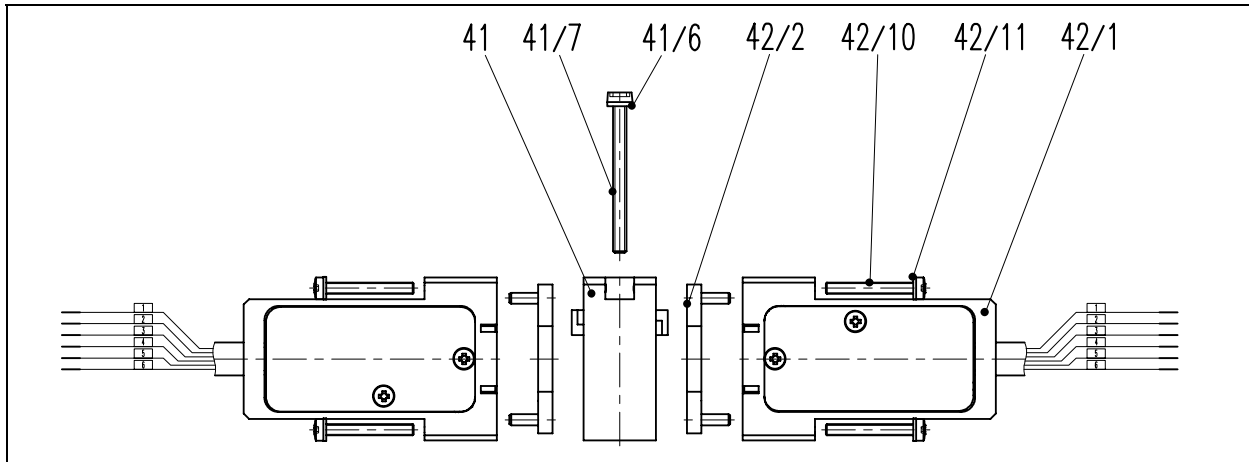


Item	Description	Version	Qty.		Part No.
			single	double	
41	Adapter complete		1	1	72228-R1 83923-R1
41/6	Spring ring		2	2	N-6162-404
41/7	Screw		2	2	N-6016-503
42	BS Mini position indicator	make contact switches double throw switches make contact radiation resistant double throw radiation resistant make contact switch with common plug for pos. indicator and solenoid	1 1 1 1 1	2 2 2 2 -	76664-R1 85399-R1 80074-R1 83953-R1 87997-R1
42/1	Position indicator	make contact switches double throw switches make contact radiation resistant double throw radiation resistant make contact switch with common plug for pos. indicator and solenoid	1 1 1 1 1	2 2 2 2 -	71852-R1 70606-R1 80075-R1 83954-R1 82560-R1
42/2	Slider		1	2	69846-01
42/10	Screw		4	8	N-6024-531
42/15	Socket		1	2	N-8504-002
	Cable socket, snaked		1	2	N-8504-005



Installation, Operating & Maintenance Instructions
Series 47.2, DN 63 - 160 (2½" - 6")
47.1 DN 200 (8")

Position indicators 200°C (single + double) with adapter



Item	Description	Version	Qty.		Part No.
			single	double	
41	Adapter complete		1	1	72228-R1 83923-R1
41/6	Spring ring		2	2	N-6162-404
41/7	Screw		2	2	N-6016-503
42	BS Mini position indicator	double throw switches	1	2	241823
42/1	Position indicator		1	2	69664-R1
42/2	Slider		1	2	70279-R1
42/10	Screw		4	8	N-6024-531
42/11	Spring ring		4	8	N-6160-406



8 Warranty

Each product sold by VAT Vakuumventile AG (VAT) is warranted to be free from the manufacturing defects that adversely affect the normal functioning thereof during the warranty period stated in VAT's «Terms of Sale» immediately following delivery thereof by VAT, provided that the same is properly operated under conditions of normal use and that regular, periodic maintenance and service is performed or replacements made, in accordance with the instructions provided by VAT. The foregoing warranty shall not apply to any product or component that has been repaired or altered by anyone other than an authorized VAT representative or that has been subject to improper installation or abuse, misuse, negligence or accident. VAT shall not be liable for any damage, loss, or expense, whether consequential, special, incidental, direct or otherwise, caused by, arising out of or connected with the manufacture, delivery (including any delay in or failure to deliver), packaging, storage or use of any product sold or delivered by VAT shall fail to conform to the foregoing warranty or to the description thereof contained herein, the purchaser thereof, as its exclusive remedy, shall upon prompt notice to VAT of any such defect or failure and upon the return of the product, part or component in question to VAT at its factory, with transportation charges prepaid, and upon VAT's inspection confirming the existence of any defect inconsistent with said warranty or any such failure, be entitled to have such defect or failure cured at VAT's factory and at no charge therefor, by replacement or repair of said product, as VAT may elect. VAT MAKES NO WARRANTY OR REPRESENTATION OF ANY KIND, EXPRESS OR IMPLIED, (INCLUDING NO WARRANTY OR MERCHANTABILITY), EXCEPT FOR THE FOREGOING WARRANTY AND THE WARRANTY THAT EACH PRODUCT SHALL CONFORM TO THE DESCRIPTION THEREOF CONTAINED HEREIN, and no warranty shall be implied by law.

Furthermore, the «Terms of sale» at the back of the price list are applicable.