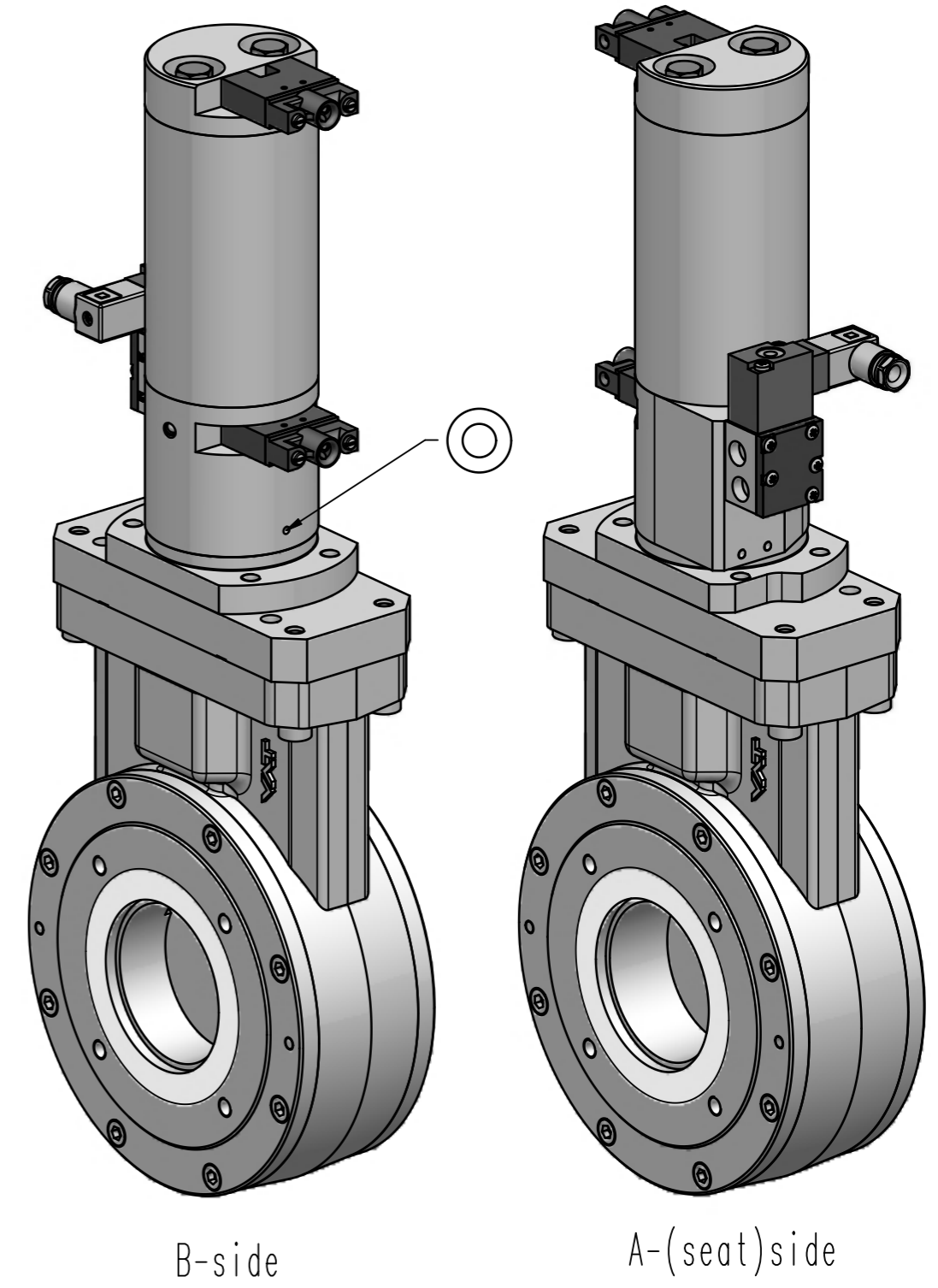
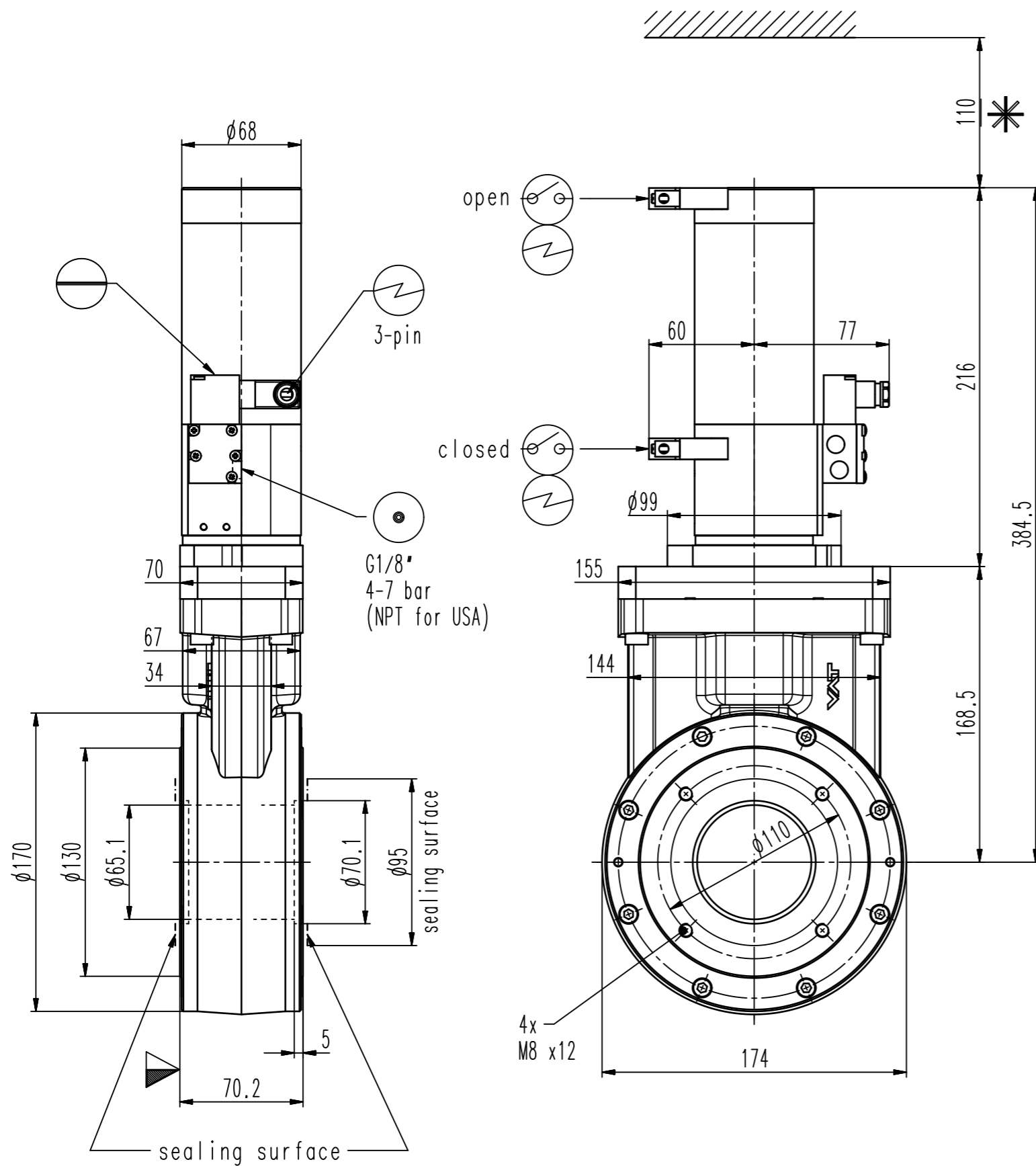


This drawing is the property of VAT.

Revision

Customer number



D-side

B-side

A-(seat)side

- ▼ Seat side
- ⊙ Comp. air connection
- ⊙ Electrical connection
- ⊙ Leak detection port
- ⊙ Mech. pos. indication
- ⊙ Position indicator
- ⊙ * Required for dismantling
- ⊙ Emergency actuation
- ⊙ For attachment
- ⊙ Bake-out area
- ⊙ Differential pumping port

Low particle gate valve



VAT Vakuumventile AG
 CH-9469 Haag, Switzerland
 Tel ++41 81 7716161 Fax ++41 81 7714830

Rev.-Date: 22.12.14
 Visa: FRH

Series	150	Ordering No.	15036-PA44-0004
Projection E	DN	Flange	
	63	ISO-F	
Dimensional Drawing	781281	Rev.	