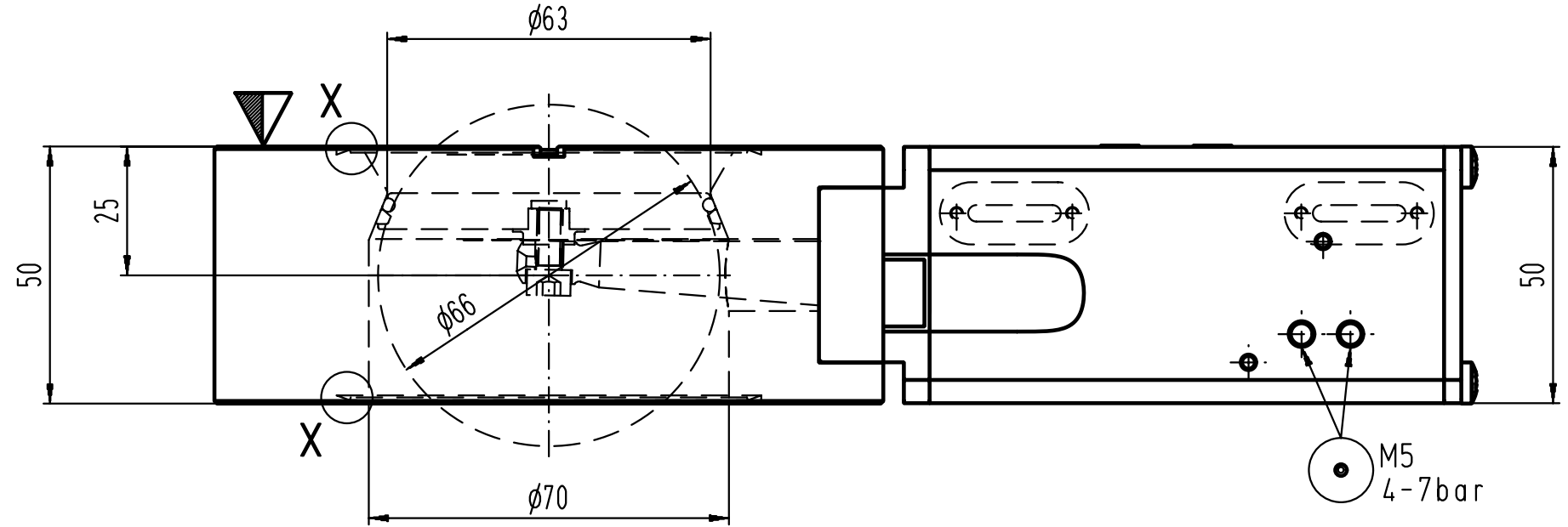
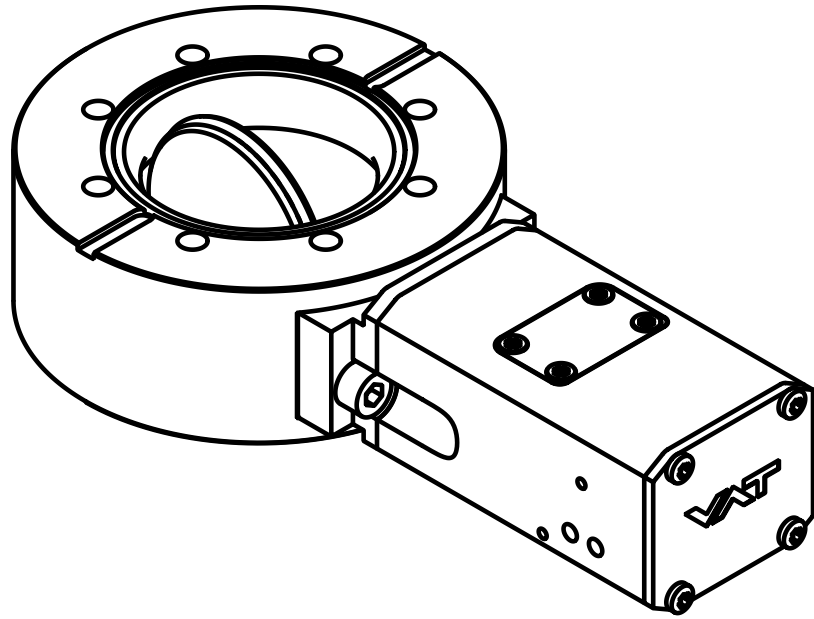
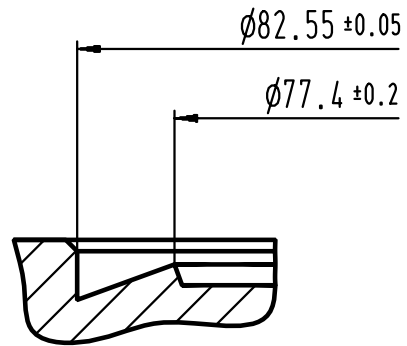


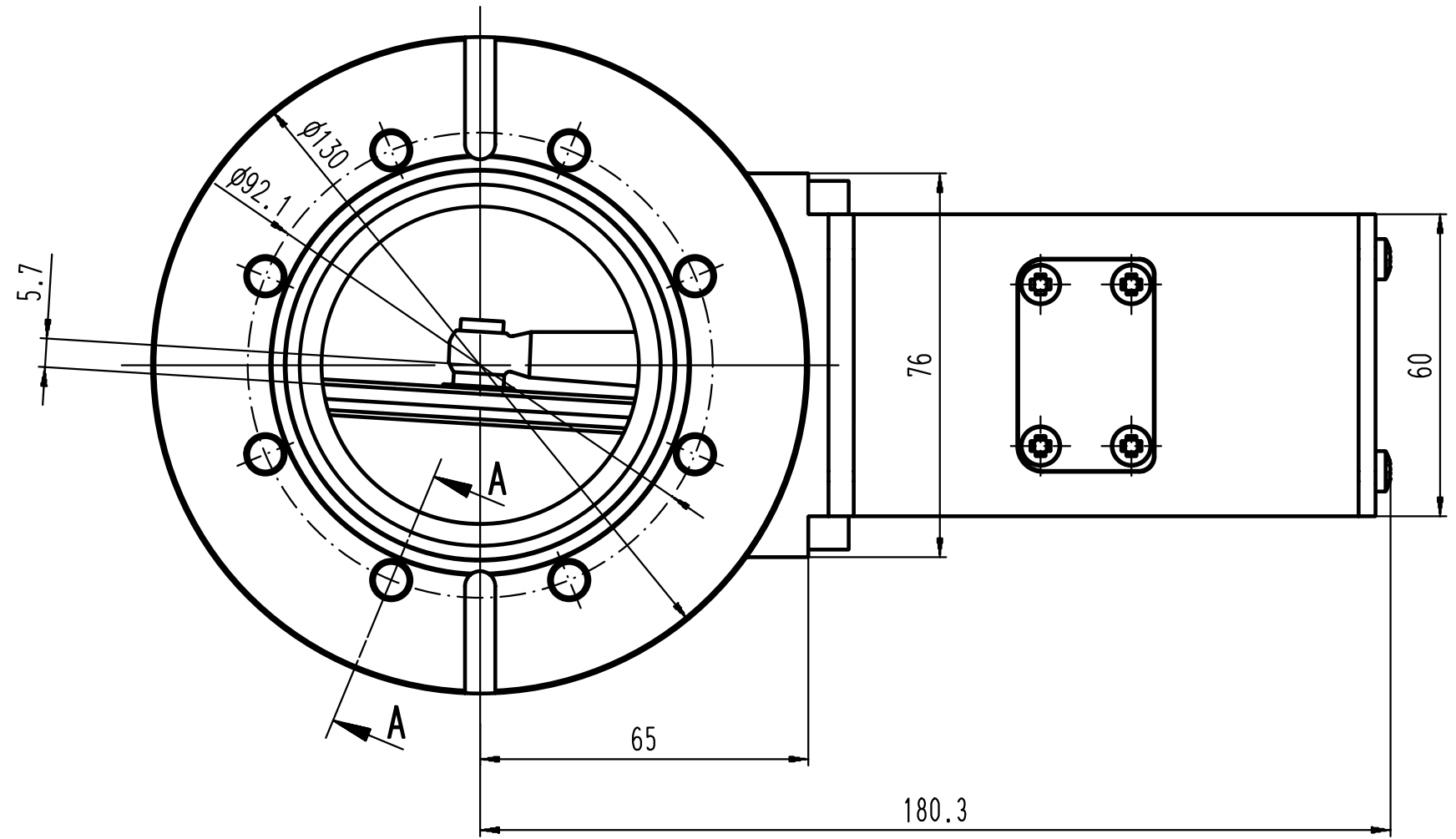
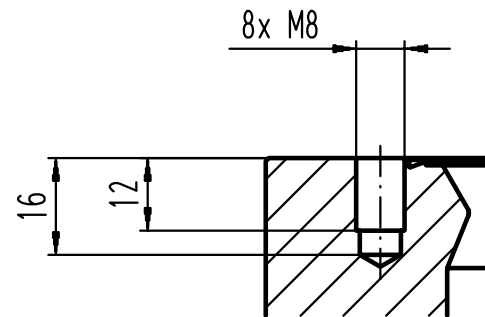
This drawing is the property of VAT.  
Without the written consent of VAT, it must  
not be copied or distributed to a third person



X (5:1)



A-A



Revision	Code	Date	Name

- ▼ Seat side
- ⊙ Comp. air connection
- ⊙ Electrical connection
- ⊙ Leak detection port
- ⊙ Mech. pos. indication
- ⊙ Position indicator
- ⊙ Required for dismantling
- ⊙ Emergency actuation
- ⊙ For attachment
- ⊙ Bake-out area
- ⊙ Differential pumping port

### Vatterfly Valve

pneumatic actuator



**VAT Vakuumventile AG**  
CH-9469 Haag, Switzerland  
Tel ++41 81 7716161 Fax ++41 81 7714830

Date: 23.06.03  
Name: VEA

Series	203	Ordering No.	20336-CE14
Projection E		DN	63
		Flange	CF-F
Dimensional Drawing	240704	Rev.	