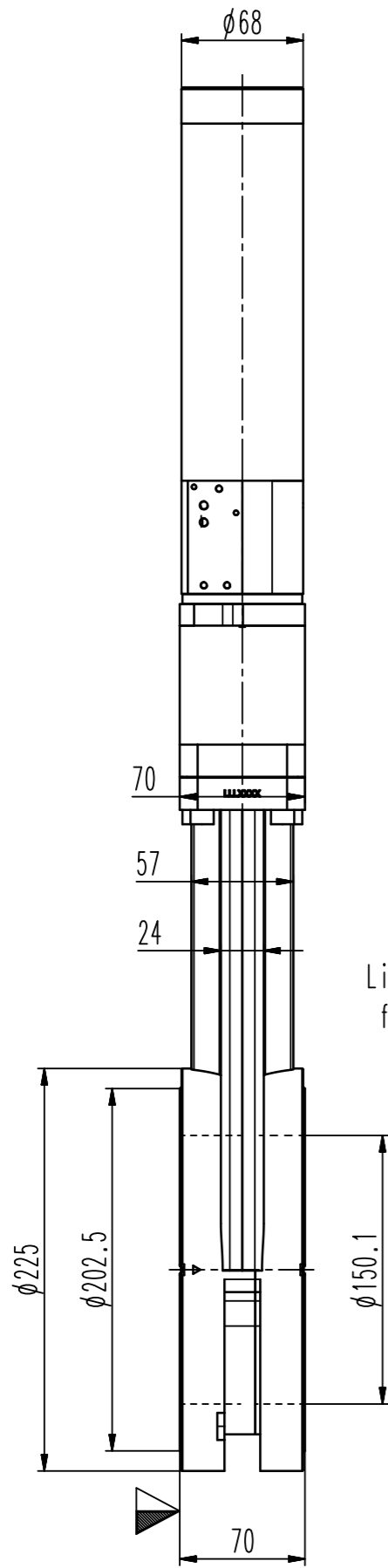


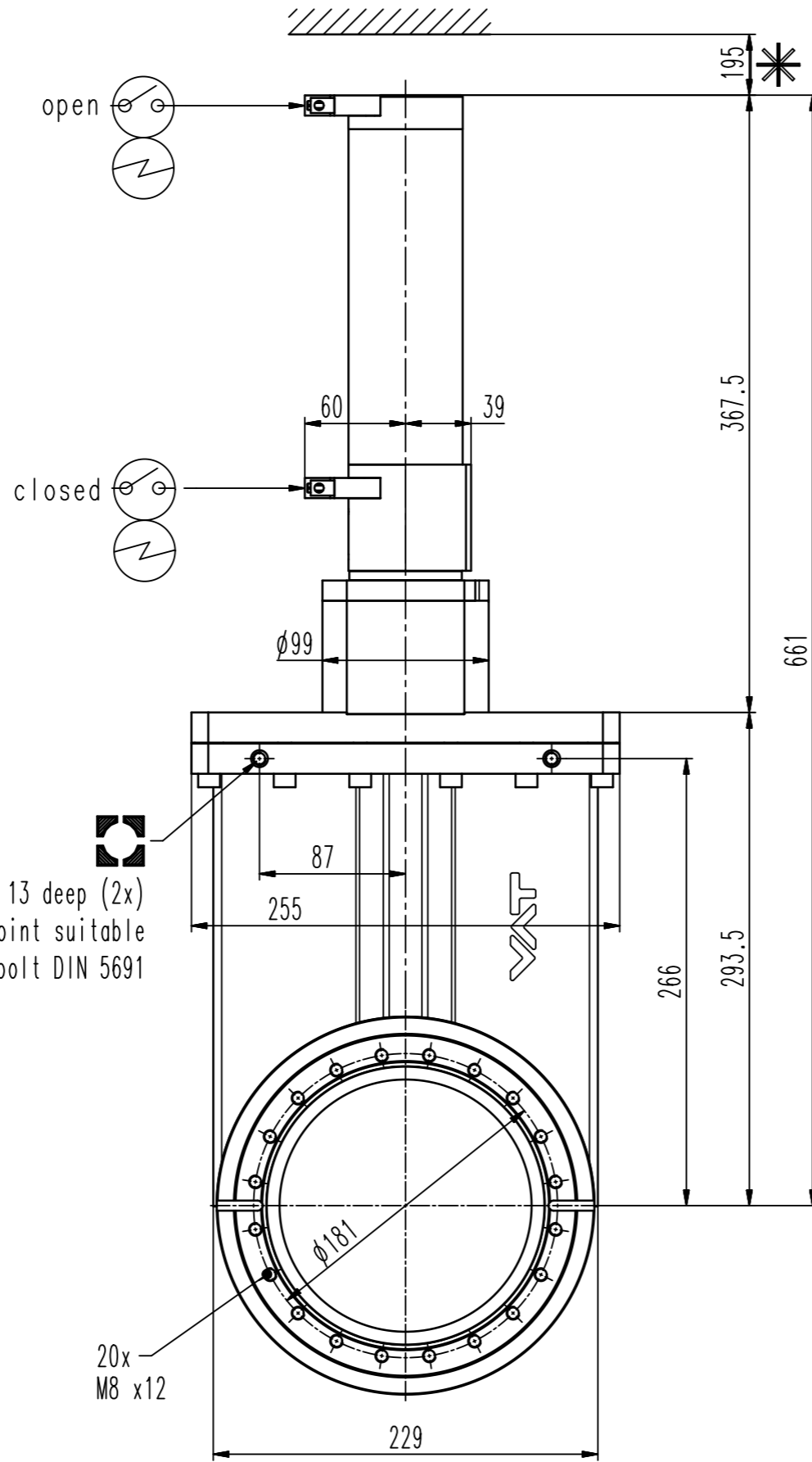
This drawing is the property of VAT.

Revision

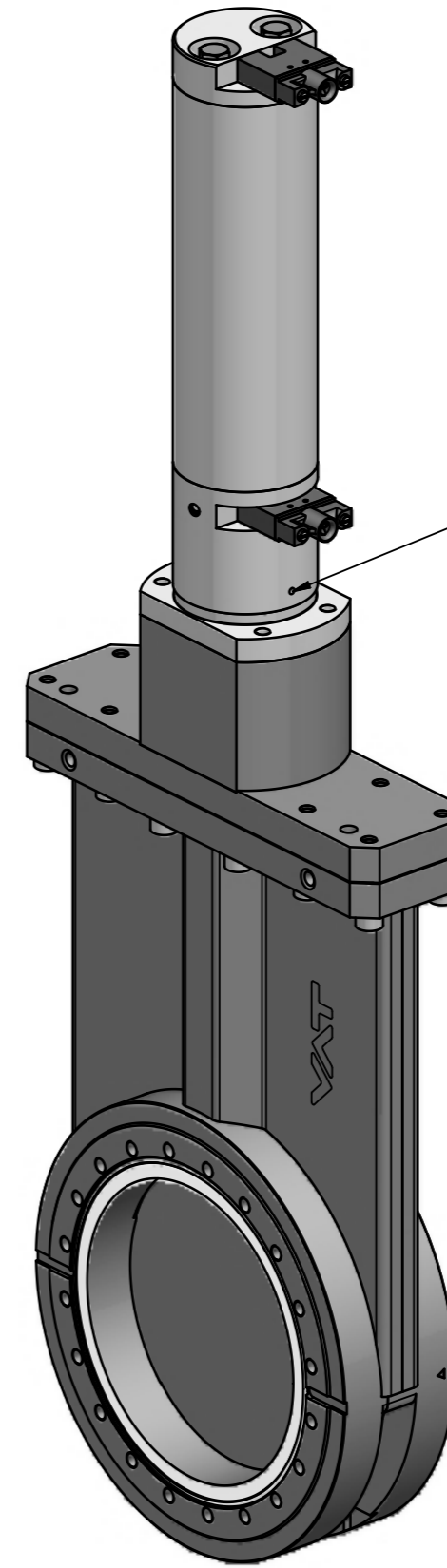
Customer number



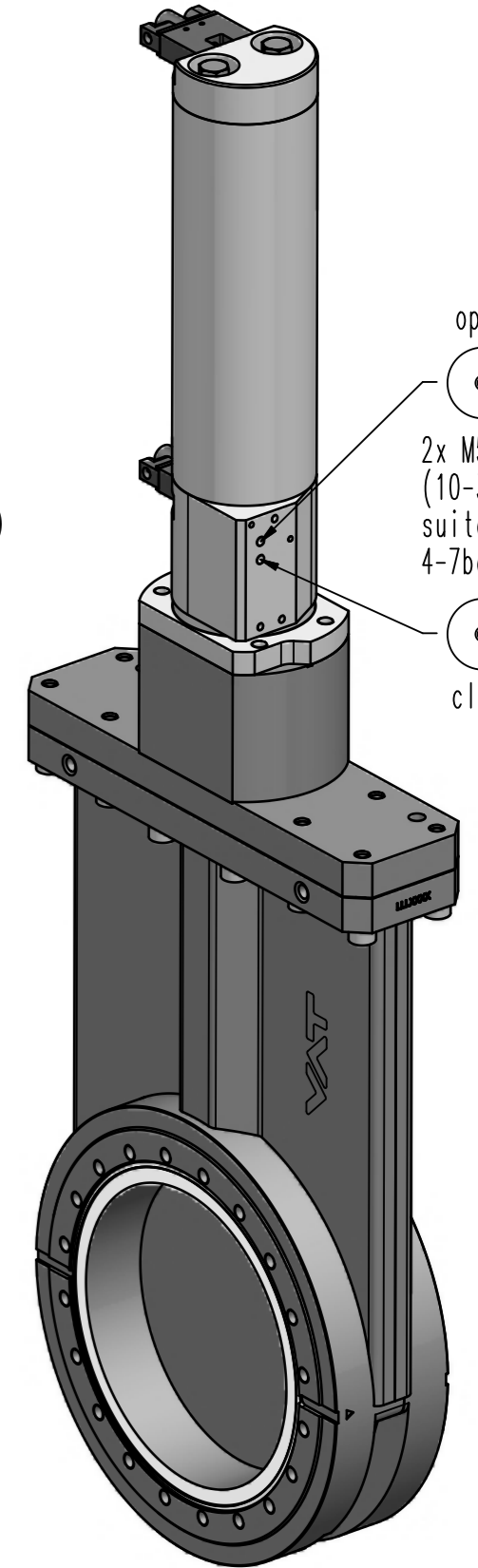
D-side



20x
M8 x12



B-side



A-(seat)side

- ▼ Seat side
- ⊙ Comp. air connection
- ⊙ Electrical connection
- ⊙ Leak detection port
- ⊙ Mech. pos. indication
- ⊙ Position indicator
- ⊙ Required for dismantling
- ⊙ Emergency actuation
- ⊙ For attachment
- ⊙ Bake-out area
- ⊙ Differential pumping port

Low particle UHV gate valve



VAT Vakuumventile AG
CH-9469 Haag, Switzerland
Tel ++41 81 7716161 Fax ++41 81 7714830

Rev.-Date: 27.02.15
Visa: FRH

Series	152	Ordering No.	15244-CE24-0003
Projection E	DN	Flange	
	160	CF-F m	
Dimensional Drawing	789248	Rev.	