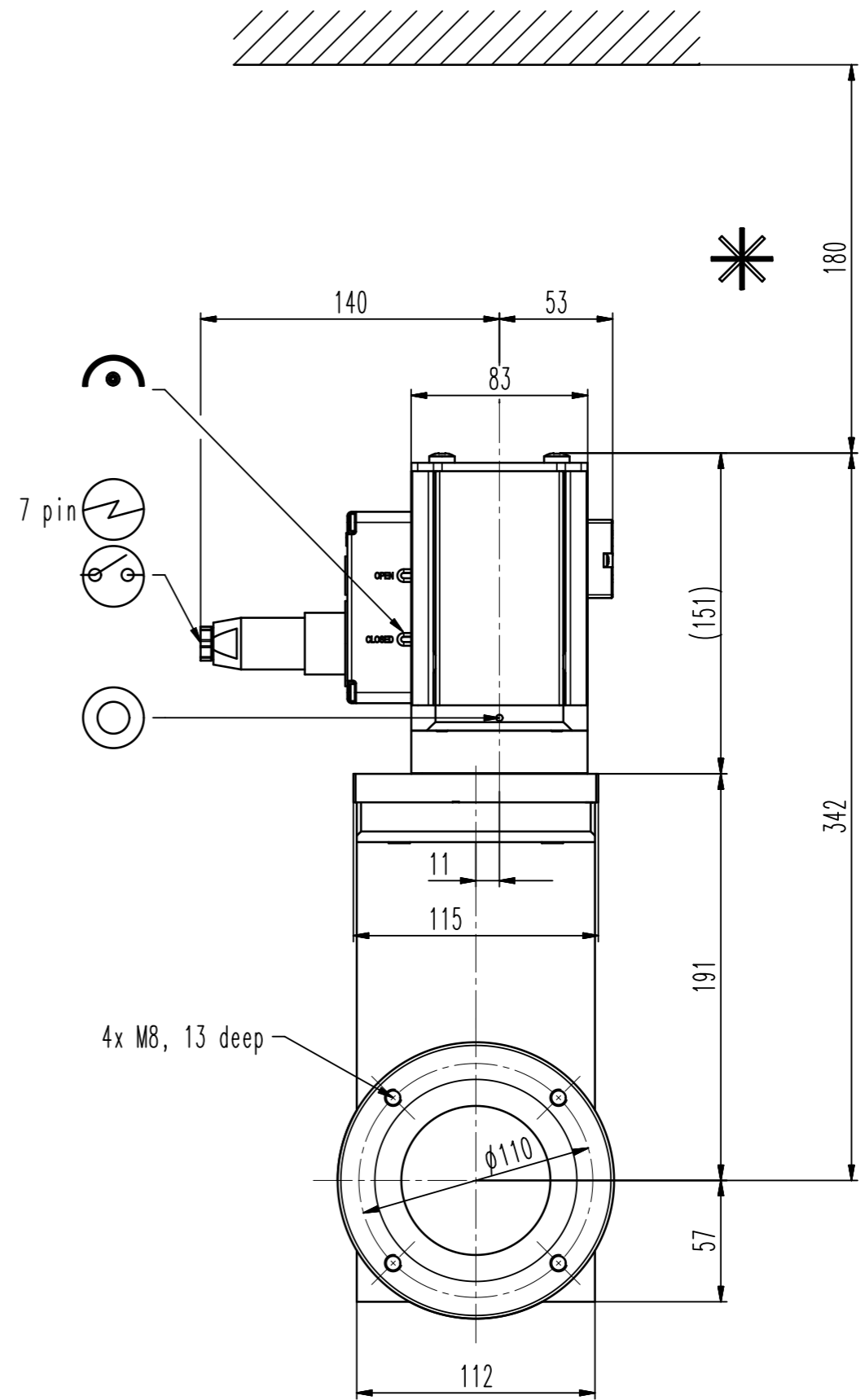
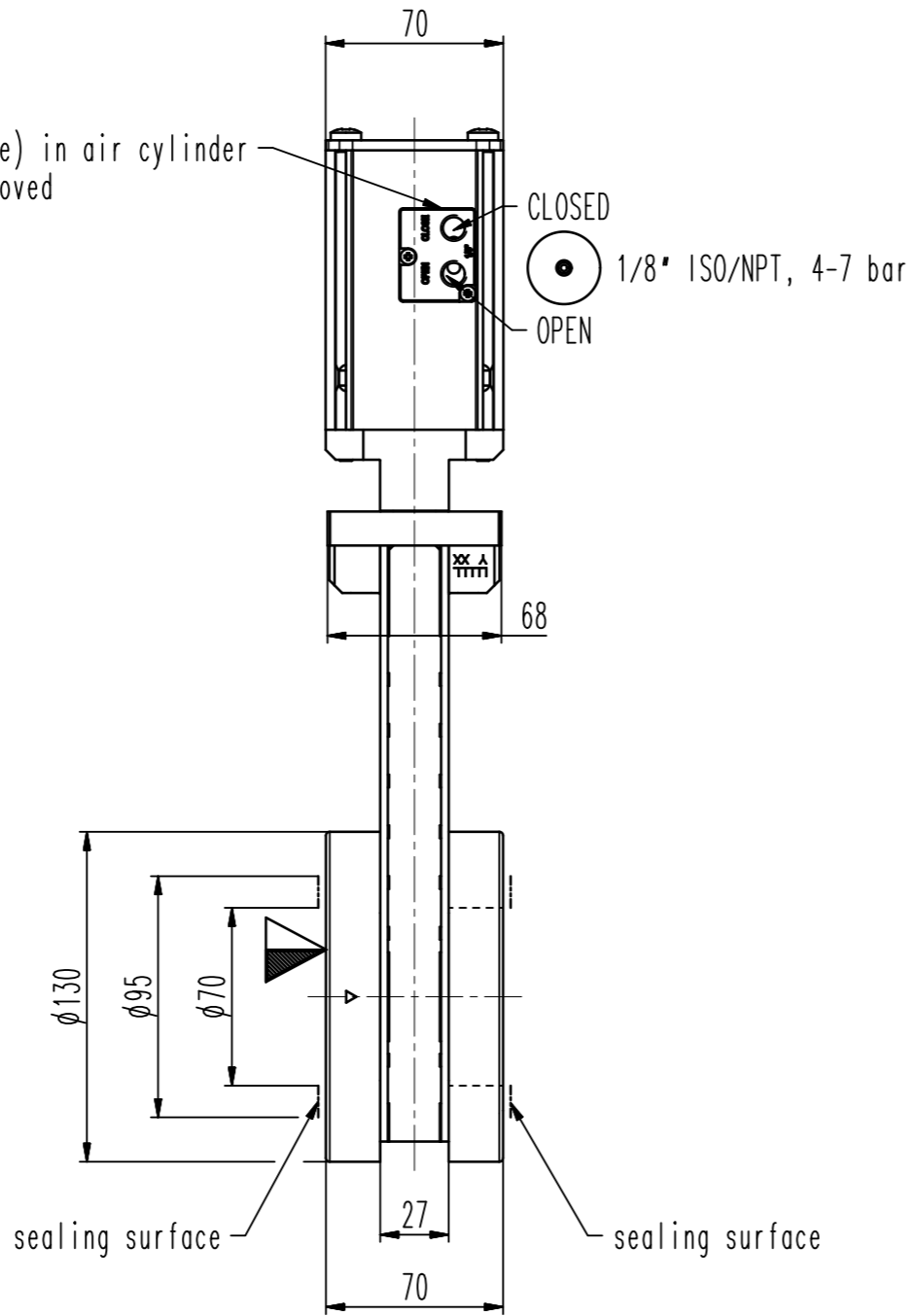


2xM5 (10-32 UNF suitable) in air cylinder if adapter plate is removed



- ▼ Seat side
- ⊙ Comp. air connection
- ⊙ Electrical connection
- ⊙ Leak detection port
- ⊙ Mech. pos. indication
- ⊙ Position indicator
- ⊙ Required for dismantling
- ⊙ Emergency actuation
- ⊙ For attachment
- ⊙ Bake-out area
- ⊙ Differential pumping port

### HV gate valve



VAT Vakuumventile AG  
 CH-9469 Haag, Switzerland  
 Tel ++41 81 7716161 Fax ++41 81 7714830

Rev.-Date: 06.04.21  
 Visa: FRRO

|                     |         |              |                 |
|---------------------|---------|--------------|-----------------|
| Series              | 111     | Ordering No. | 11136-PE24-0001 |
| Projection E        | DN      | Flange       | ISO-F           |
|                     | 63      |              |                 |
| Dimensional Drawing | 1083655 | Rev.         | A               |